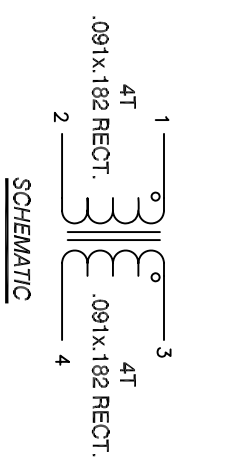
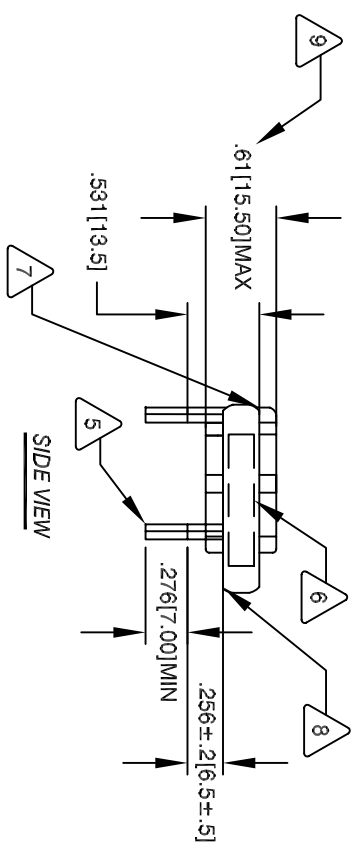


The information contained in this drawing is the sole property of CWS Coil Winding Specialist. Any reproduction in part or whole without written permission of CWS Coil Winding Specialist is prohibited.

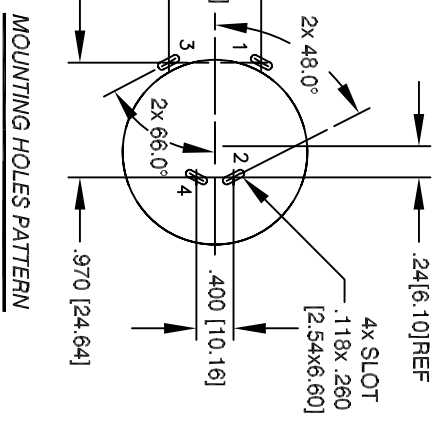
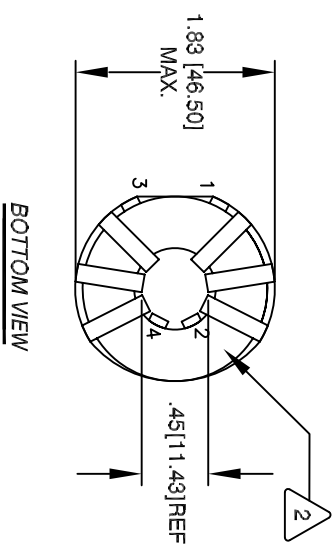
REVISION HISTORY

REV	ECN	DESCRIPTION	BY	DATE	CHK	DATE
C		PRODUCTION RELEASE	TDK	12/07/04	JLAV	12/07/04
D		REVISED DIMENSION AS SAME AS K68XXXXX98-A01	RL	12/4/06	JLAV	12/4/06
E		ADDED NOTE #8, 9, 10, AND 11	KLC	9/23/08	RL	9/23/08

- 11 BUILD TO ROHS COMPLIANCE AND LEAD FREE
- OR OVEN CURED AS REQUIRED
- 10 DIP-VANISH WITH AQ43 OR EQUAL AND AIR DRY
- 9 THIS IS CRITICAL MAXIMUM DIMENSION
- 8 BOTTOM OF CORE TO START OF TINNING 6.5±0.5 MM DIMENSION MEASURED FROM
- 7 TOP OF CORE TO START OF TINNING 13.5 MM DIMENSION MEASURED FROM
- 6 USING A PERMANENT MARKING METHOD MARK PART NUMBER AND REVISION WRAP INDUCTOR WITH TAPE. (PER NOTE 2)
- 5 TO THE CORE MUST REST FLAT ON PCB. LEADS MUST BE TANGENT FLUSH WITH THE COIL EDGE. AS SHOWN (I.E. COIL REMOVE INSULATION AND TIN LEADS 7.0 MM MIN
- 4 SIDE OF CORE AND EVENLY SPACED, POLARITY NOTED WIND 4 TURNS, .091x .182 RECT. SINGLE LAYER ON EACH CONSTRUCTION:



- 3 TO INSURE INTEGRITY OF WINDING SEPARATION HI-POT TEST FOR INTERWINDING ISOLATION = 250VDC POWER LOSS = 5.2 W MAX @ 90A/COIL DCR = .40 MOHMS MAX./COIL L = 52 uH MIN / COIL, 70 uH NOM / COIL, 1 KHZ, 1Vrms SPECIFICATIONS @ 25°C:
- 2 APPROVED PART OUTER WRAP: 3M #11 OR #69 OR OTHER CWS WIRE: UL RECOGNIZED 200°C RATING MAGNET WIRE CWS BYTEMARK OR OTHER APPROVED PART CORE: RATED 6000 VOLT FERRITE TOROID INSULATION, HIGH PERM MNZN
- 1 CLASS B (130°C) REQUIRED MATERIAL: UL RECOGNIZED 94V-0 FOR FLAMMABILITY



NOTES: UNLESS OTHERWISE SPECIFIED, READ FROM BOTTOM UP

QTY	CODE IDENT	MFG. P/N	DESCRIPTION	ITEM NO.
			<b>PARTS LIST</b>	
			<b>COILWS COM, INC</b>	
			CWS Coil Winding Specialist	
			353 W Grove Ave	
			Orange, CA. 92865	
			<b>TITLE:</b>	
			Inductor Common Mode	
			70uH 90A	
			<b>SIZE (DWG. NO.)</b>	
			C-36A29-06-B	REV E
			<b>SCALE</b>	
			1=1	<b>SHEET 1 OF 1</b>

UNLESS OTHERWISE SPECIFIED DIMENSIONING AND TOLERANCE PER ANSI Y14.5M AND (MILLIMETERS).

TOLERANCE INCHES: .XX±.010 .XX±.020 .XX±.030 .XX±.050 .XX±.075 .XX±.125

ANGLE PROJECTION

DO NOT SCALE DRAWING